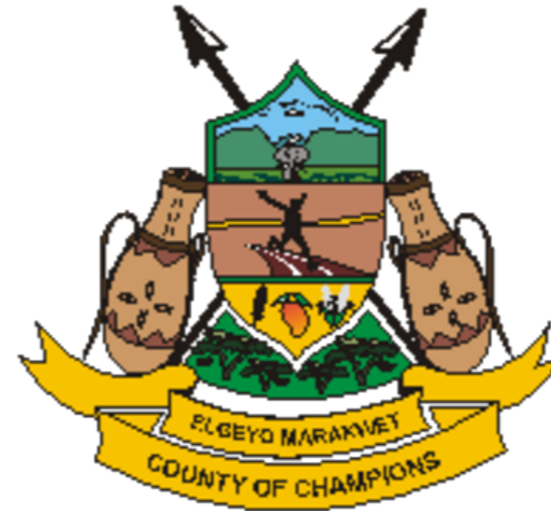


COUNTY GOVERNMENT OF ELGEYO MARAKWET



DEPARTMENT OF ROADS, PUBLIC WORKS & TRANSPORT DIRECTORATE OF PUBLIC WORKS

P.O BOX 312 - 30700,

ITEN.

TEL no. (+254)(0) 5342277.

Website: www.elgeyomarakwet.go.ke.

ARCHITECTURAL DRAWINGS

PROPOSED MATERNITY BLOCK

AT

KAPTUM HEALTH CENTRE

FY 2017/2018

CHECKED BY

Cherop R.K
County Architect, (E.M.C)

FORWADED BY

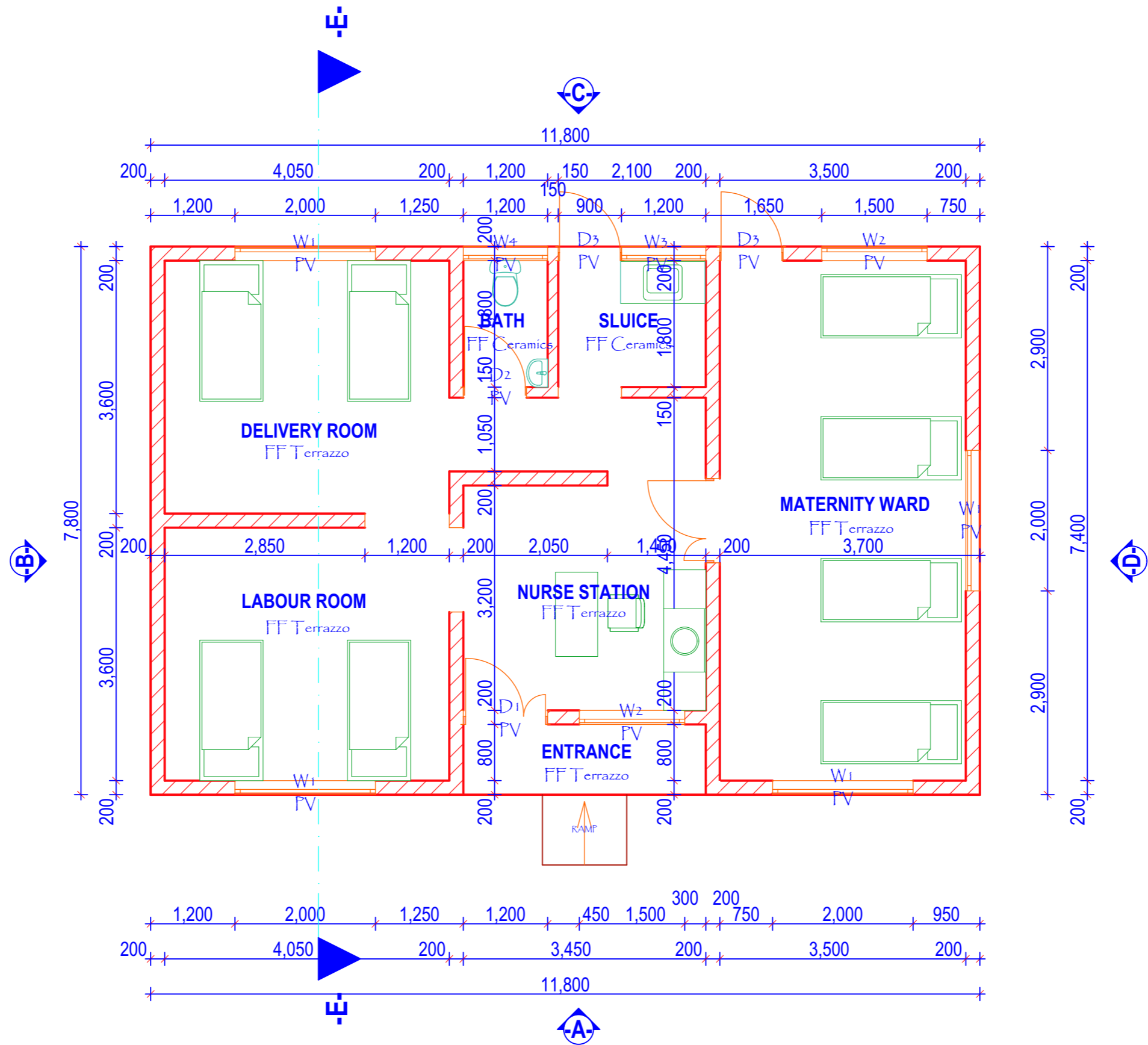
Director Public Works & Property Management (E.M.C)

ISSUED BY

J. Cheboi
C.O. Roads, Public Works & Transport (E.M.C)

CLIENT

Chief Officer Health,
P.O Box-30700,
Iten.



GROUND FLOOR PLAN



**COUNTY GOVERNMENT
OF
ELGEYO MARAKWET**

P.O BOX 220 - 30700,
ITEN.
TEL no. (+254)(0) 5342277.

Website: www.elgeyomarakwet.go.ke

Project Title

PROPOSED MATERNITY BLOCK
AT
KAPTUM HEALTH CENTRE

Client

Chief Officer Health,
P.O Box 220-30700,
Iten.

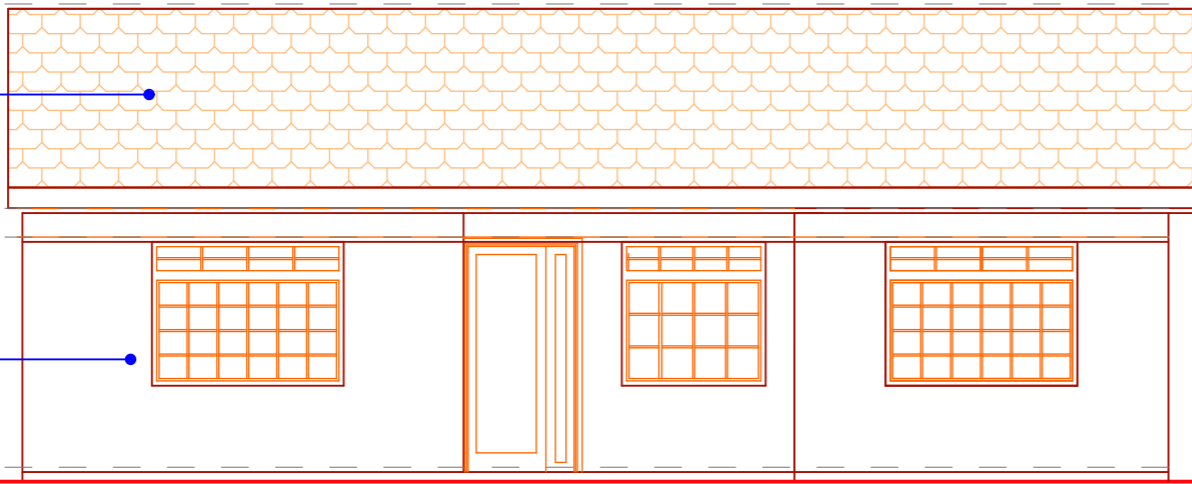
Drawing Title

PLAN

Project No.			Drawn
Scale	Date	Drawing No.	Checked 01
	SEP. 2017		(Mr. Public works & Property Management)
For any Queries Consult the project Managers DO NOT SCALE from this drawing			Checked 02
			J. Chebot (C.O. Roads, Public works and Transport)

Roof pitch 22.5 deg.
GCI IT4 roofing sheets
on timber trusses.

Well keyed natural stone wall
to architect's approval.

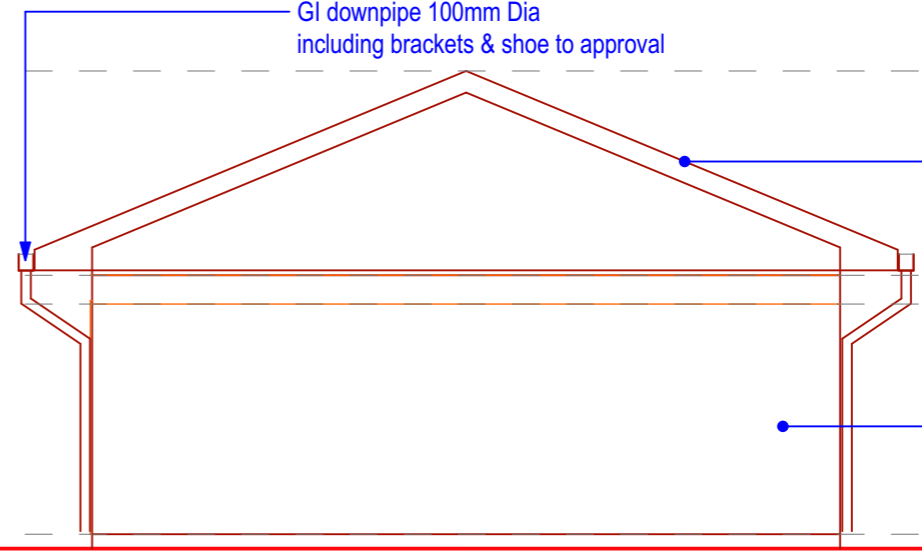


ELEVATION -A-

100mm GI U-box gutter
GI downpipe 100mm Dia
including brackets & shoe to approval

Roof pitch 22.5 deg.
GCI IT4 roofing sheets
on timber trusses.

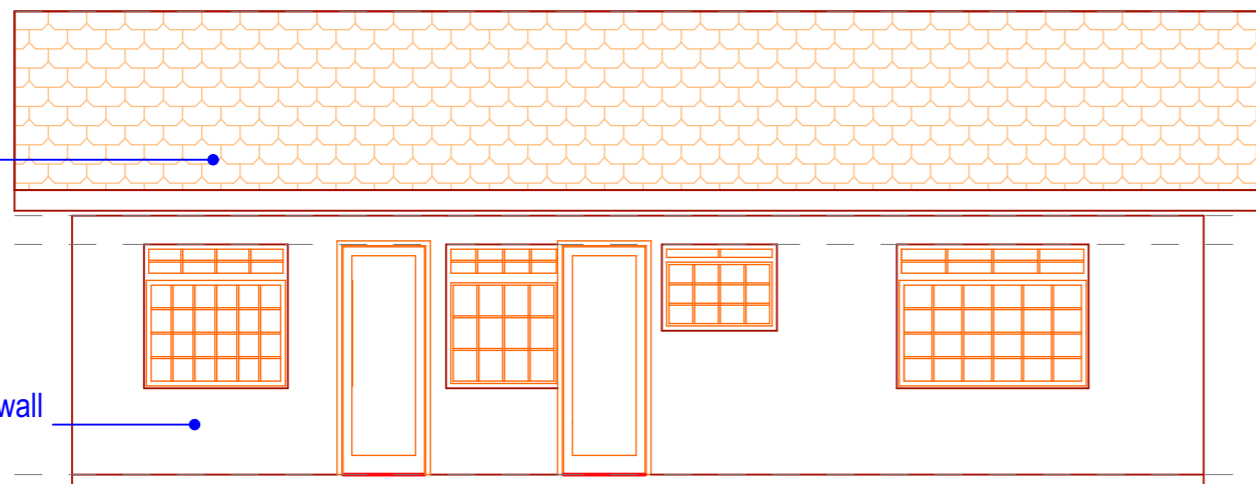
Well keyed natural stone wall
to architect's approval.



ELEVATION -B-

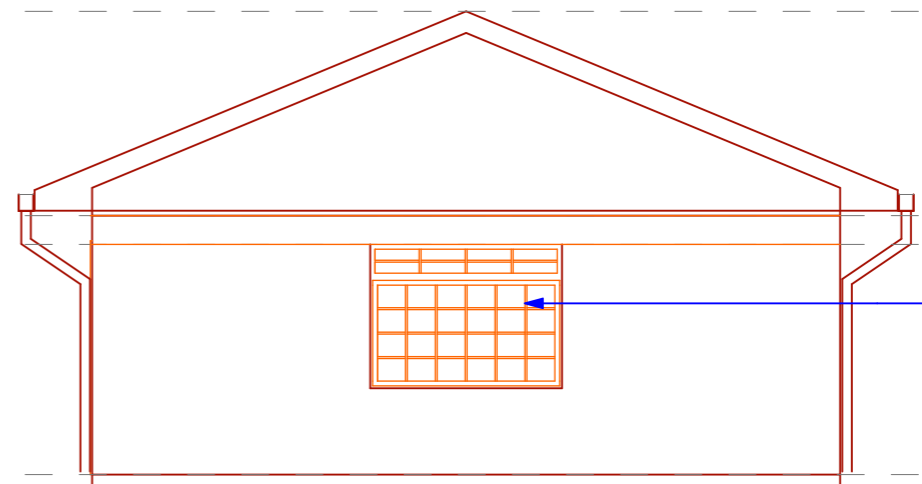
Roof pitch 22.5 deg.
GCI IT4 roofing sheets
on timber trusses.

Well keyed natural stone wall
to architect's approval.



ELEVATION -C-

Steel casement window frame



ELEVATION -D-



**COUNTY GOVERNMENT
OF
ELGEYO MARAKWET**
P.O BOX 220 - 30700,
ITEN.
TEL no. (+254)(0) 5342277.
Website: www.elgeyomarakwet.go.ke

Project Title

PROPOSED MATERNITY BLOCK
AT
KAPTUM HEALTH CENTRE

Client

Chief Officer Health,
P.O Box 220-30700,
Iten.

Drawing Title

ELEVATION

Project No.			Drawn
Scale	Date	Drawing No.	Checked 01
	SEP. 2017		(Mr. Public works & Property Management)
For any Queries Consult the project Managers DO NOT SCALE from this drawing			Checked 02
			J. Chebot (C.O. Roads, Public works and Transport)

Roof Details

Roof pitch = 22.5 deg
 28g mini corrugated GCI T4 sheets on
 100x50mm timber rafters on
 75x50mm purlins on
 100x75mm wallplate.
 150x50mm tie beam
 100x50mm struts
 250x25mm painted fascia board
 chipboard ceiling on
 50x50 branderings at 600c/c

850x2350mm high solid cored flush
 doors lined with mahogany
 veneered both sides
 hardwood lipped all round with fanlight

Foundation Construction

200mm Bush stones walling On
 25mm cement screed On
 150mm RC concrete footing On
 50mm concrete blinding.
 depth to be det. on site

Ridge cap to match the roof cover

1,900 2,200 4,400 2,175

200X300mm R.C beam
 to structural Eng's details.

Steel casement window frame

200mm thick stone walling bedded and jointed in
 mortar mix 1:3 in hoop iron 16 gauge at alternate
 layers to approval

Floor Construction

Terrazzo Floor finish On
 12mm thick cement screed On
 100mm thick concrete floor slab on
 BRC A142 Mesh on
 1000g polythene sheet on
 50mm thick murrum blinding on
 300mm thick well compacted hardcore.
 Apply Insecticide treatment on blinded surfaces
 with gladiator termicide.

SECTION -E-E-



**COUNTY GOVERNMENT
 OF
 ELGEYO MARAKWET**
 P.O BOX 220 - 30700,
 ITEN.
 TEL no. (+254)(0) 5342277.
 Website: www.elgeyomarakwet.go.ke

Project Title

PROPOSED MATERNITY BLOCK
 AT
 KAPTUM HEALTH CENTRE

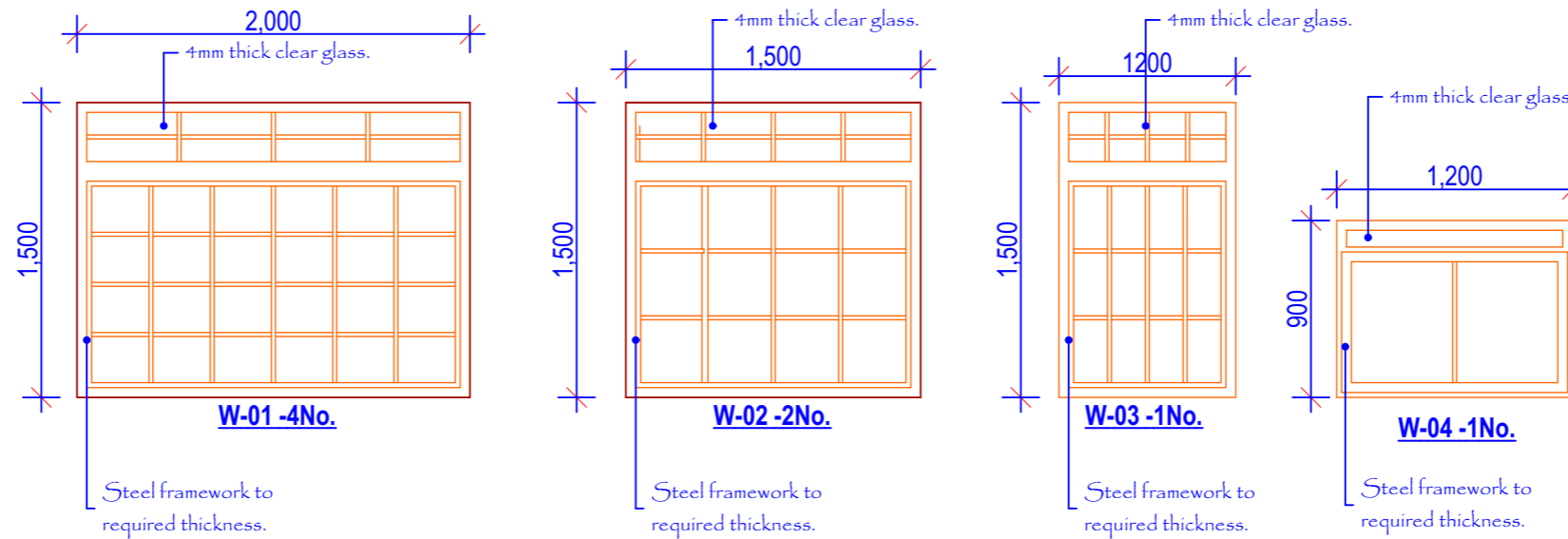
Client

Chief Officer Health,
 P.O Box 220-30700,
 Iten.

Drawing Title

SECTION

Project No.			Drawn
Scale	Date	Drawing No.	Checked 01
	SEP. 2017		(Mr. Public works & Property Management)
For any Queries Consult the project Managers DO NOT SCALE from this drawing			Checked 02
			J. Chebot (C.O. Roads, Public works and Transport)

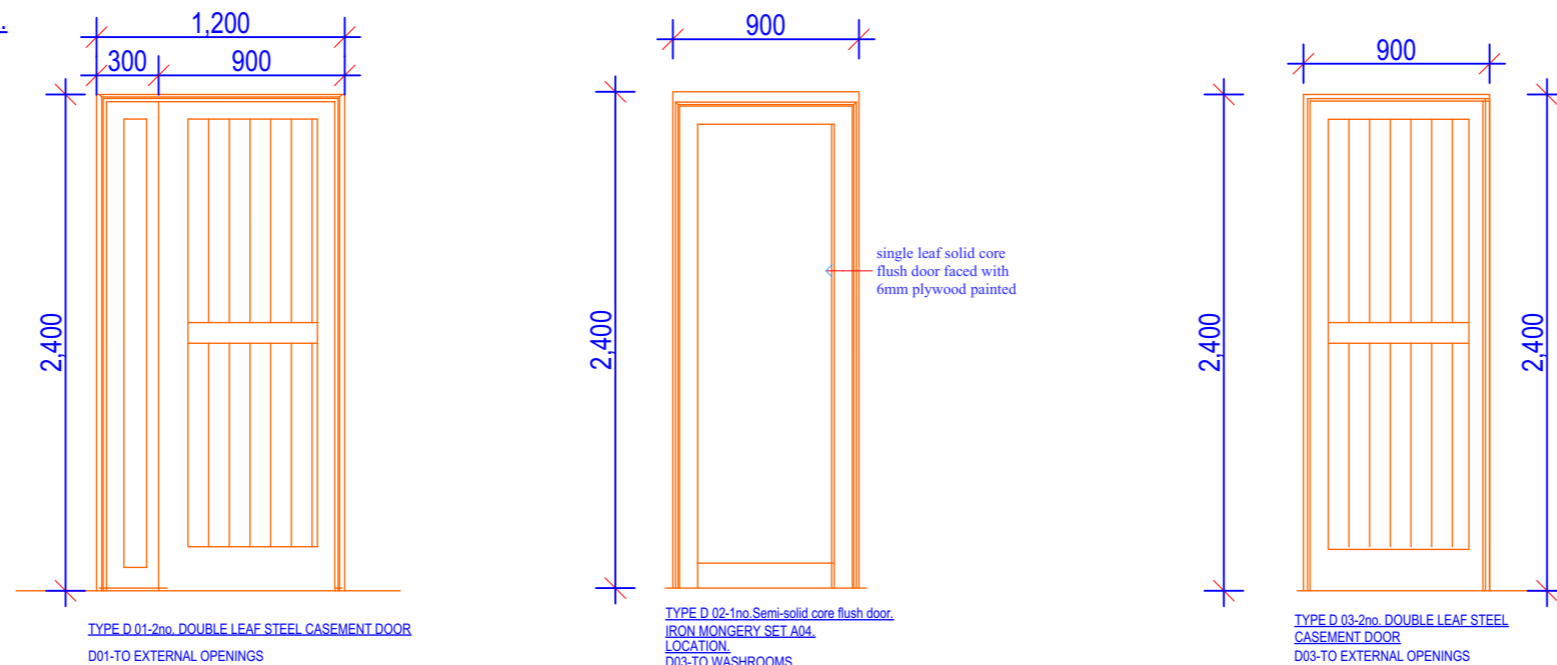


- [IRONMONGERY SET A04.]**
 3 No. BP-DW-402525
 -BRASS BALL BEARINGS HINGES 100x 75x2mm.
 2 No.UA 369
 -UNION KICKING PLATE SIZE 900X200mm.
 1 NO.PP-SS
 -UNION PUSH/PULL SIGNPLATE SIZE 300x75mm.
 1No. 8094PL
 -UNION INDICATOR BOLT.
 1 No.U245
 -UNION OVAL DOOR STOP.
 1No.U3329
 -UNION SAA D HANDLE 225 x19mm. CONCEAL FIX.

Supply & fix the following purpose made;standard steel window from the approved manufactur complete with stays & fasteners to match and one coat manufacturer's primer;and pinning to plaster framing;fixing to head and sill with screws;plugging

WINDOW SCHEDULE

- [IRONMONGERY SET-A02]**
 3 No. BP-DW-402525
 -BRASS BALL BEARINGS HINGES 100x 75x2mm.
 1 No. J-8824H
 -UNION POWER SELECTABLE DOOR CLOSER.
 1 No. L2S21
 -UNION EURO PROFILE MORTICE LOCK.
 1 No.SKED 3535PB
 -UNION SYSTEM K EURO DOULE CYLINDER.
 1 No. J-3000RRU68
 -UNION 3000 SERIES LEVER HANDLE.
 2 No.UA 369
 -UNION KICKING PLATE SIZE 900X200mm.
 1 NO.M/FS-SS
 -UNION MALE/FEMALE SIGN.
 1 No.U245
 -UNION OVAL DOOR STOP.



DOOR SCHEDULE



COUNTY GOVERNMENT OF ELGEYO MARAKWET
 P.O BOX 220 - 30700,
 ITEN.
 TEL no. (+254)(0) 5342277.
 Website: www.elgeyomarakwet.go.ke.

Project Title

PROPOSED MATERNITY BLOCK AT KAPTUM HEALTH CENTRE

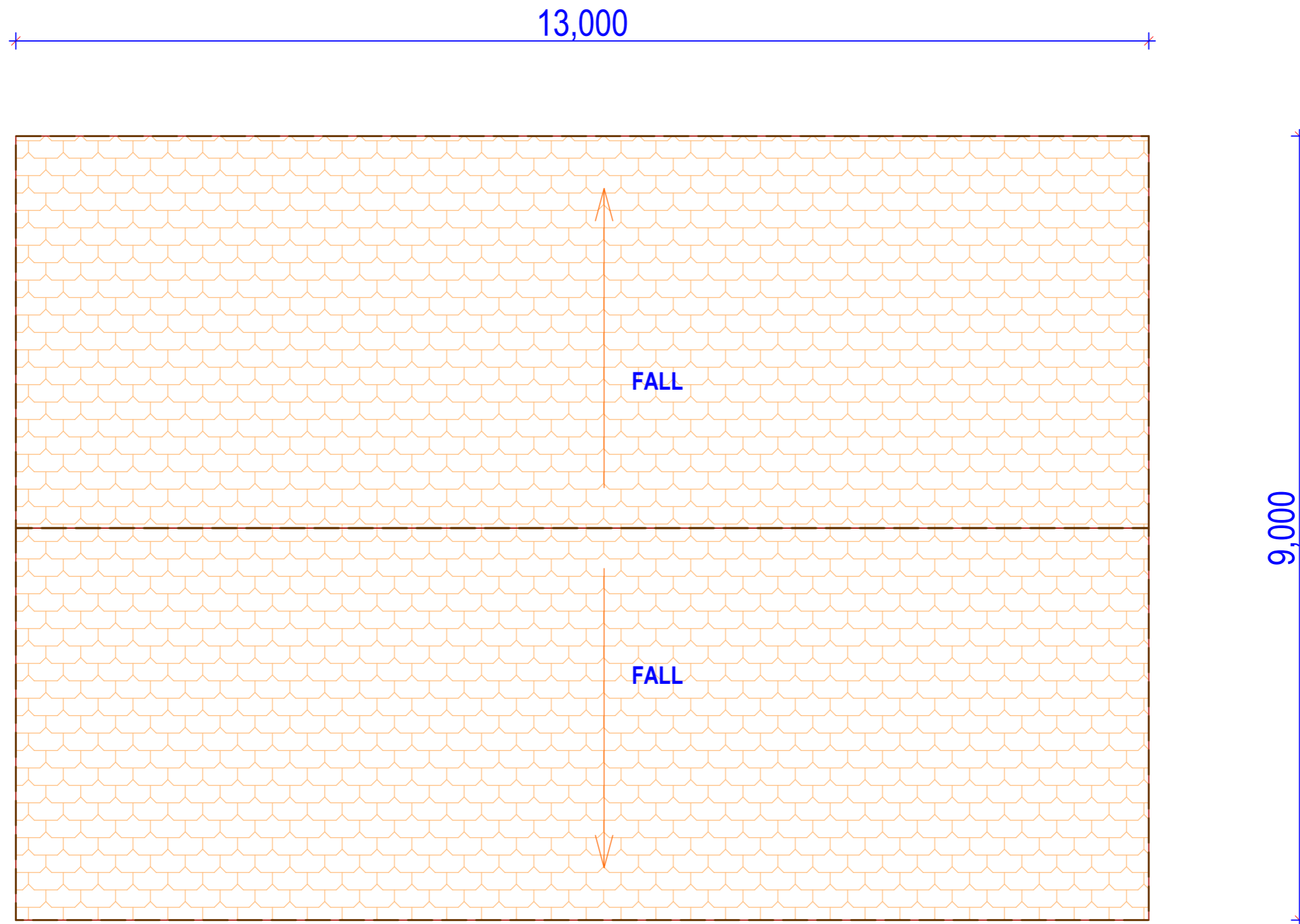
Client

Chief Officer Health, P.O Box 220-30700, Iten.

Drawing Title

WINDOW/DOOR SCHEDULE

Project No.			Drawn
Scale	Date	Drawing No.	Checked 01
	SEP. 2017		(Mr. Public works & Property Management)
For any Queries Consult the project Managers DO NOT SCALE from this drawing			Checked 02
			J. Cheboi (C.O. Roads, Public works and Transport)



ROOF PLAN



**COUNTY GOVERNMENT
OF
ELGEYO MARAKWET**

P.O BOX 220 - 30700,
ITEN.
TEL no. (+254)(0) 5342277.

Website: www.elgeyomarakwet.go.ke.

Project Title

PROPOSED MATERNITY BLOCK
AT
KAPTUM HEALTH CENTRE

Client

Chief Officer Health,
P.O Box 220-30700,
Iten.

Drawing Title

ROOF PLAN

Project No.

Drawn

Cherop R.K.
(County Architect)

Scale

Date

Drawing No.

Checked 01

SEP. 2017

(Mr. Public works & Property Management)

Checked 02

For any Queries Consult the project Managers
DO NOT SCALE from this drawing

J. Chebot
(C.O. Roads, Public works and Transport)