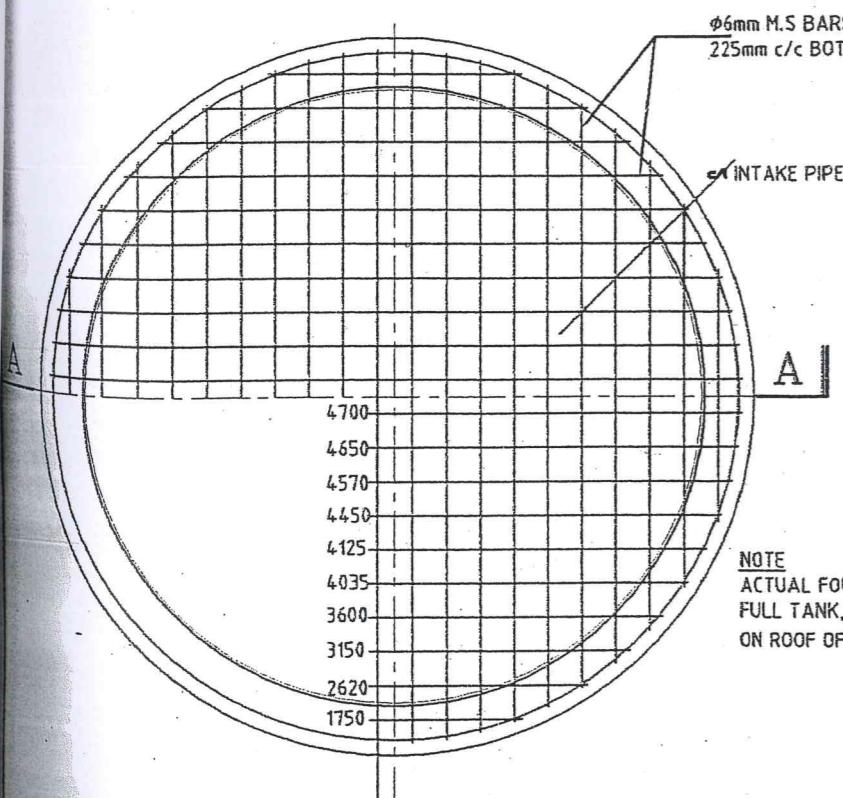


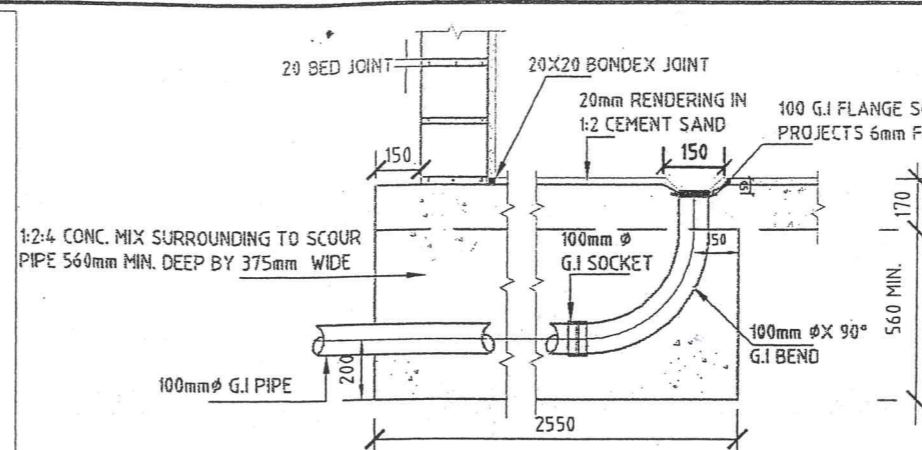
**SECTION A-A**  
SCALE 1:50

**NB**  
1. SURFACE OF FLOOR SLAB TO BE WELL COATED WITH LIME WASH TO PREVENT BOND BETWEEN FLOOR & WALL  
2. IF TANK IS SITED ON BLACK COTTON SOIL, SIMILAR REINFORCEMENT TO THAT AT THE BOTTOM TO BE PROVIDED AT TOP OF SLAB.

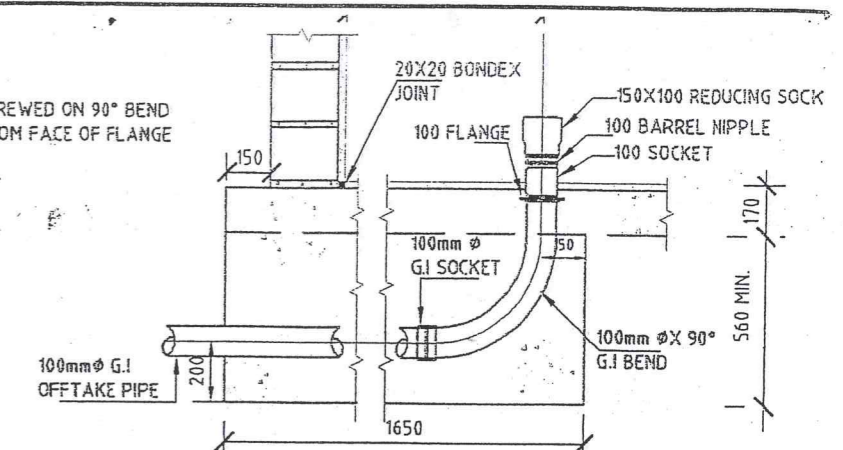


**FLOOR PLAN REINFORCEMENT**  
SCALE 1:50

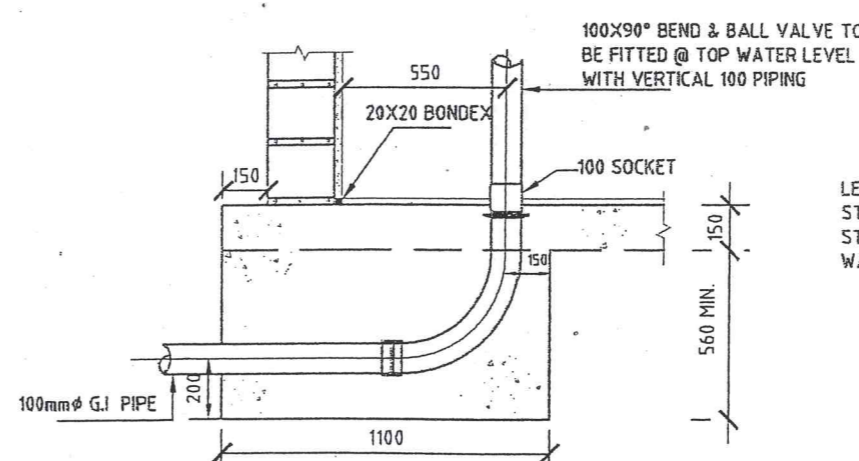
**NOTE**  
ACTUAL FOUNDATION LOADING ALLOWING FOR FULL TANK, ROOF AND SUPERIMPOSED LOAD ON ROOF OF 300 Kg/m<sup>2</sup> IS 0.25 Kg/cm<sup>2</sup>.



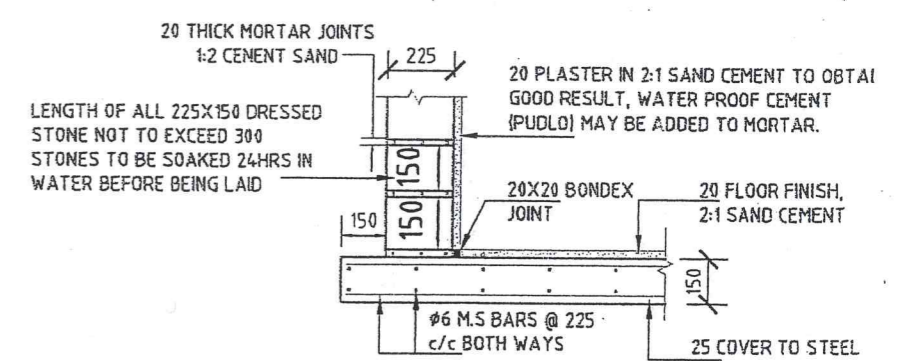
**SCOUR PIPE DETAIL**  
SCALE 1:25



**OFFTAKE DETAIL**  
SCALE 1:25



**DETAIL OF INTAKE OR OVERFLOW**  
SCALE 1:25



**DETAIL AT FOOT OF WALL**  
SCALE 1:25

MINISTRY OF WATER & IRRIGATION- MAJI HOUSE

TYPE 25 m<sup>3</sup> STORAGE TANK  
ALL DIMENSIONS IN MILLIMETERS

DESIGNED	P.C SHELAT	JUNE 1962	SHEET 1 OF 2
DRAWN	P. MATUNDURA	FEB' 74	SCALE: AS SHOWN
DIGITIZED	ALUCHIO M.F	JUNE 2009	DRG. NO.
CHECKED	ENG. B.I	JUNE 2009	M.W.I